

ECS Hardware Reference Manual



4CHANNEL **ANALOG INPUT** MODULE

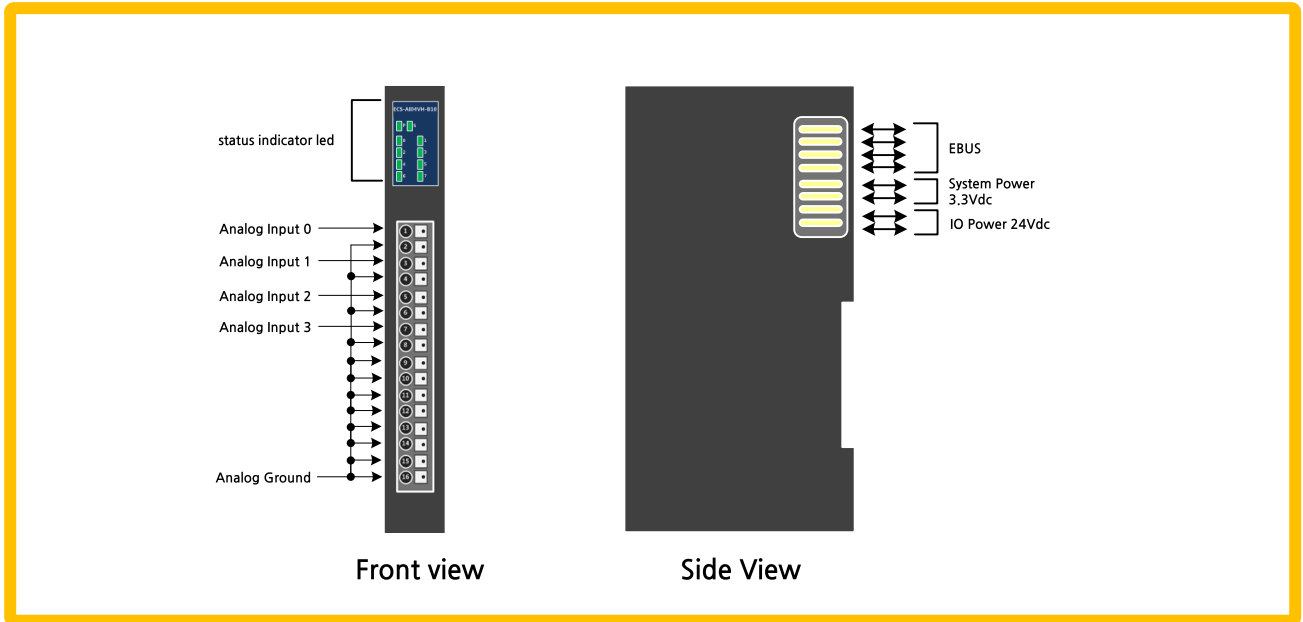
ECS-AI04IH

MAR 2016
©2016 COMIZOA, All rights reserved

Hardware Manual Revision : 1.0.1
Revision Data 2016. 03. 04

Table Of Contents

1	개요	1
2	제품사양	2
3	Wiring	4
4	Indicators	4
5	Analog Data	4

개요

ECS Series - ECS-AI04IH (Analog Input 4ch)

ECS-AI04IH는 EtherCAT 기반 제어기인 ECS Series의 4채널 Analog 입력 모듈입니다.

각 채널의 내부 제어신호와 외부 입출력 신호는 포토커플러를 사용하여 절연됩니다.

본 매뉴얼은 ECS-AI04IH의 하드웨어 구성과 기능에 대해 설명하는 하드웨어 매뉴얼입니다.

제품사양
■ Analog Specification

Contents	Details
Number of Inputs	4 Input
Input type	Single-ended
Resolution	16bit(2's Compliment)
Current Input Range	4mA ~ 20mA
Isolation	Non-isolated Between Channels I/O to Logic : Photo-coupler isolation (3KV)
Error	Offset Error : $\pm 13\text{mV}$ Gain Error : $\pm 0.45\%$
Input Impedance	Approx. 250Ω ($\pm 5\%$)
Wiring contact/TE Connectivity)	LSF-SMT3.5-16P (Weidmuller)

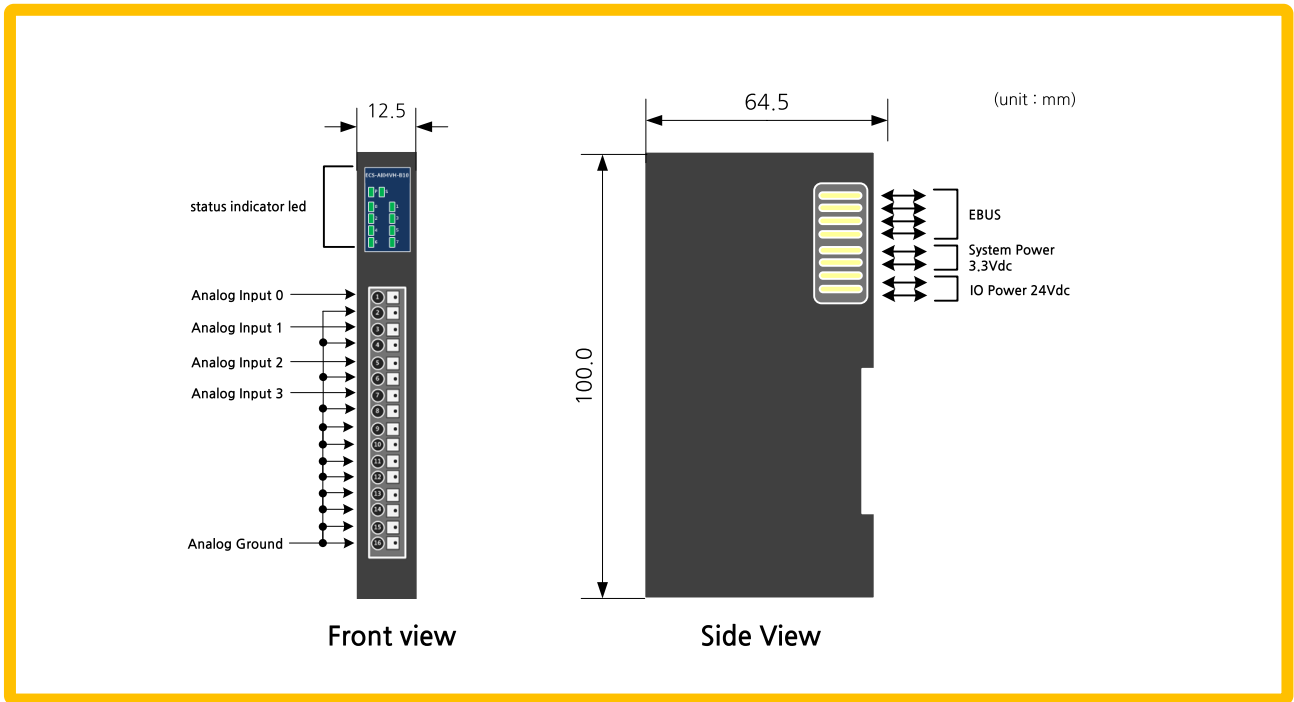
■ Power Specification

ITEM	Details
Power Dissipation(System)	Max. 100mA @ 5.0V DC
Power Dissipation(I/O)	Max. 55mA @ 24.0V DC
Rated Input Voltage	24V DC (-15%/+20%, ripple ratio within 5%) EN 61131-2

■ Environmental Specification

ITEM	Details
Dimension	65 * 100 * 12.5 (mm)
Install	Industrial DIN rail
Operating Temperature Range	0°C ~ 50°C
Storage Temperature Range	-20°C ~ 80°C
Operating Humidity Range	5% ~ 90%RH, non-condensing
Storage Humidity Range	5% ~ 90%RH, non-condensing

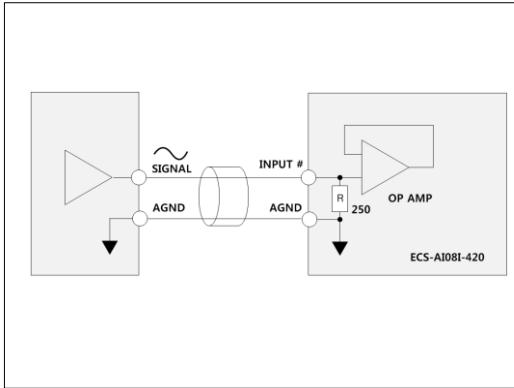
제품사양



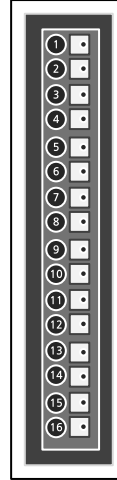
Dimension

Wiring

■ Circuit Diagram

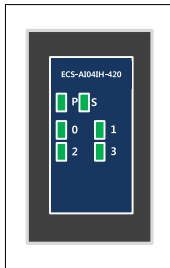


■ PIN MAP



1	INPUT0
2	AGND
3	INPUT1
4	AGND
5	INPUT2
6	AGND
7	INPUT3
8	AGND
9	AGND
10	AGND
11	AGND
12	AGND
13	AGND
14	AGND
15	AGND
16	AGND

Indicators



P	SYSTEM POWER LED	ON	SYSTEM POWER(5V DC) ON
		OFF	SYSTEM POWER(5V DC) OFF
S	EtherCAT AL STATE LED	OFF	INIT
		Blinking(slow)	PRE-OP
		Single Flash	SAFE-OP
		ON	OP
		Flickering(fast)	BOOTSTRAP
0-3	INPUT STATE LED	ON	RUN SAMPLING
		OFF	STOP SAMPLING

Hardware Reference Manual Update List

No.	Version	Date	Changes in
1			First Edition
2	1.01	2016.03.03	글꼴변경 (나눔고딕, 굴림)

ECS Reference Manual

Copyright holder : COMIZOA CO.,LTD
Copyright (c) by COMIZOA CO.,LTD. All right reserved.
2016. 02. 29.



COMIZOA CO.,LTD
<http://www.comizoa.com>
Tel) +82 - 42 - 936 - 6500
Fax) +82 - 42 - 936 - 6507

All the details including figures and programs included in this manual is protected by Korean Copyright.
Any parts of this manual can be copied or distributed without COMIZOA's permission.