

CNET Hardware Reference Manual



16CHANNEL DIGITAL OUTPUT MODULE

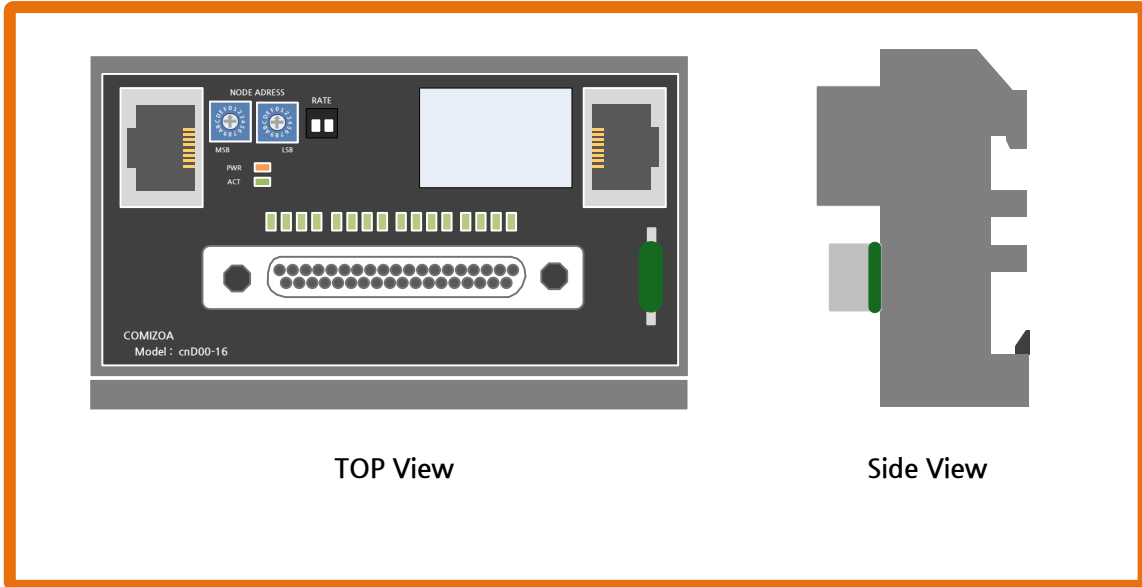
cnD00-16

MAR 2016
©2016 COMIZOA, All rights reserved

Hardware Manual Revision : 1.0.1
Revision Data 2016. 03. 04

Table Of Contents

1	개요	1
2	제품사양	2
3	Wiring	3
4	Device ID Setting	4
5	Indicators	4
6	C-NET Baud Rate Setting	4

개요

CNET Series - cnD00-16 (Digital NPN Output 16ch)

cnD00-16은 커미조아의 CNET 기반 제어기의 16채널 Digital 출력 모듈입니다.

각 채널의 내부 제어신호와 외부 입출력 신호는 포토커플러를 사용하여 절연됩니다.

본 매뉴얼은 cnD00-16의 하드웨어 구성과 기능에 대해 설명하는 하드웨어 매뉴얼입니다.

CNET 시스템의 전반적인 내용은 CNET product System reference 매뉴얼을 참조 바랍니다.

제품사양
▣ Digital Specification

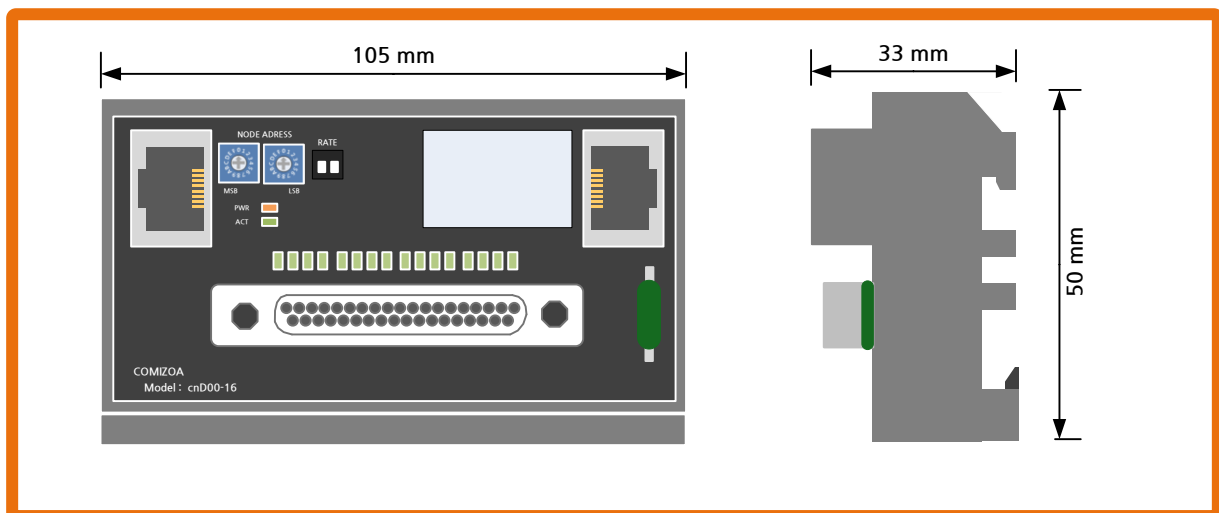
ITEM	Details
Number of Outputs	16 output (1 Wire)
Output Type (Module)	MOSFET with common ground(NPN)
Isolation	Photo-coupler(Viso=3,000Vrms)
OFF State Current	Max. 100uA / Point
On State Max Sink Current	Max. 500mA / Point
Rds(On state resistance)	Max. 0.5Ω (±5%)
Over-Temperature Shutdown	160°C
Over-Current Shutdown	0.7A (Min.) ~ 2A (Max.)

▣ Power Specification

ITEM	Details
Power Dissipation	80mA @ 24 V DC
Rated Input Voltage	24 V DC (-15%/+20%, ripple ratio within 5%) EN 61131-2

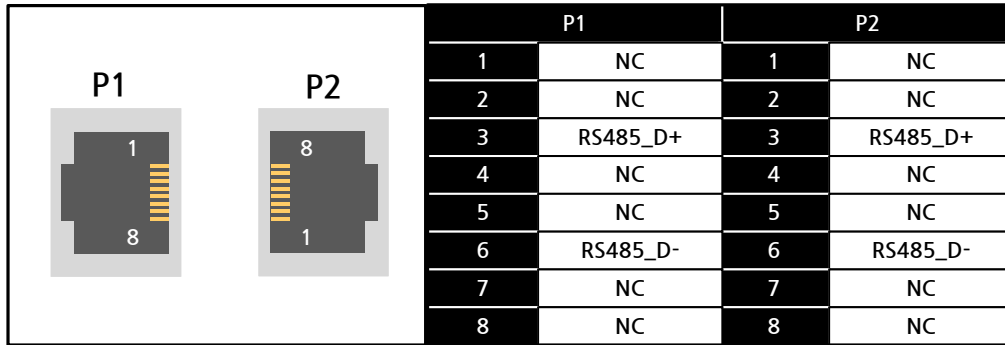
▣ Environmental Specification

ITEM	Details
Dimension	50 * 105 * 33 (mm)
Install	Industrial DIN rail
Operating Temperature Range	0°C ~ 50°C
Storage Temperature Range	-20°C ~ 80°C
Operating Humidity Range	5% ~ 90%RH, non-condensing
Storage Humidity Range	5% ~ 90%RH, non-condensing

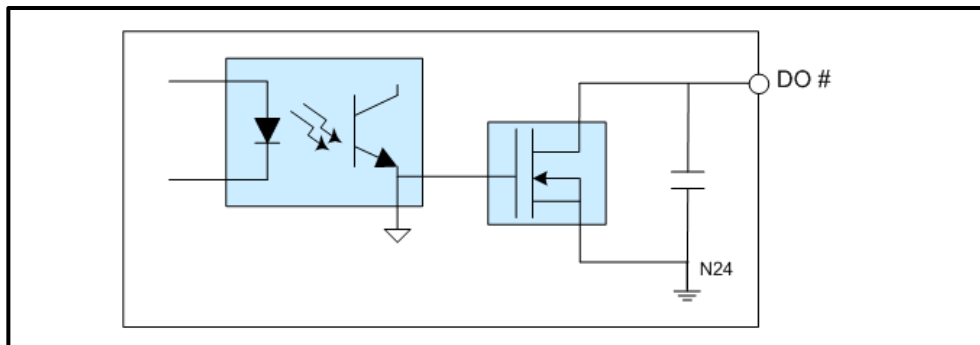

Dimension

Wiring

■ RJ45 Connector

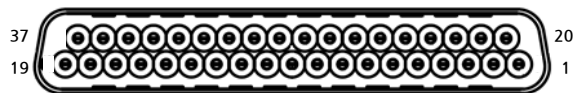


■ Circuit Diagram




■ PIN MAP

Ch 0 ~ 15




1	DO15	2	DO14	3	DO13	4	DO12
5	DO11	6	DO10	7	DO9	8	DO8
9	VDD	10	DO7	11	DO6	12	DO5
13	DO4	14	DO3	15	DO2	16	DO1
17	DO0	18	VDD	19	NC	20	NC
21	NC	22	NC	23	NC	24	NC
25	NC	26	NC	27	NC	28	N24V
29	NC	30	NC	31	NC	32	NC
33	NC	34	NC	35	NC	36	NC
37	NC						


Device ID Setting

	NODE ID setting	MSB(1:0) * 16 + LSB
	NODE ID range	0 ~ 63

Indicators

			
PWR	SYSTEM POWER LED	ON	SYSTEM POWER(3.3V DC) ON
		OFF	SYSTEM POWER(3.3V DC) OFF
ACT	C-NET STATE LED	ON	C-NET COMMUNICATION ACTIVATE
		OFF	C-NET COMMUNICATION DEACTIVATE

C-NET Baud Rate Setting

	11	2.5Mbps
	10	5Mbps
	01	10Mbps
	00	20Mbps

Hardware Reference Manual Update List

No.	Version	Date	Changes in
1			
2	1.01	2016.03.04	글꼴변경 (나눔고딕, 굴림)

CNET Reference Manual

Copyright holder : COMIZOA CO.,LTD
Copyright (c) by COMIZOA CO.,LTD. All right reserved.
2016. 03. 04.



COMIZOA CO.,LTD
<http://www.comizoa.com>
Tel) +82 - 42 - 936 - 6500
Fax) +82 - 42 - 936 - 6507

All the details including figures and programs included in this manual is protected by Korean Copyright.
Any parts of this manual can be copied or distributed without COMIZOA's permission.