

# CNET Hardware Reference Manual



32CHANNEL DIGITAL OUTPUT MODULE

cnD00-32

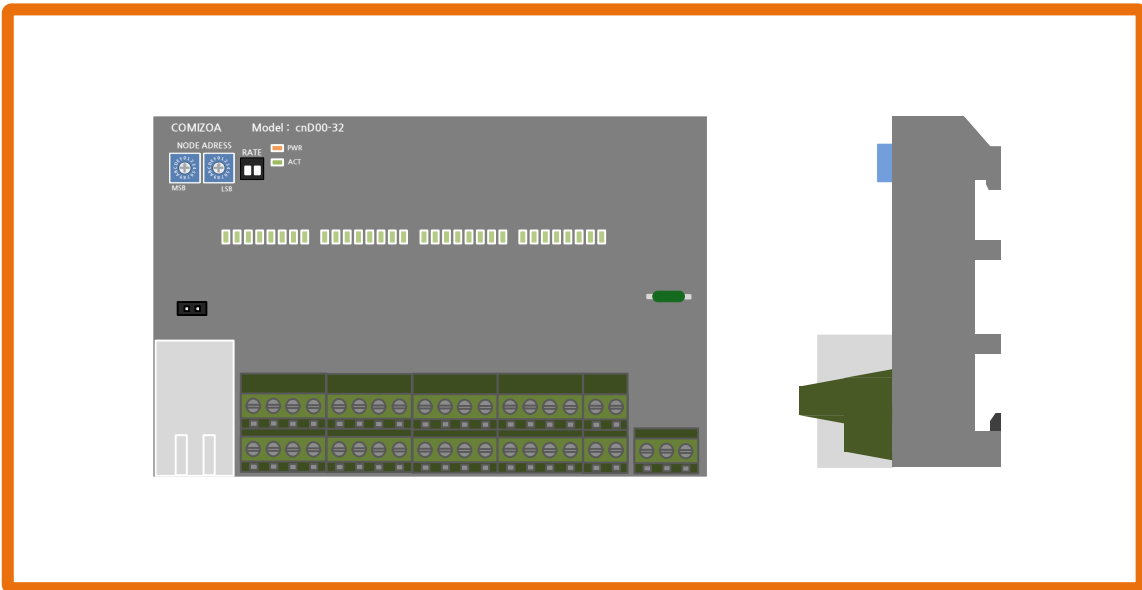
MAR 2016  
©2016 COMIZOA, All rights reserved

Hardware Manual Revision : 1.0.1  
Revision Data 2016. 03. 04

---

## Table Of Contents

1	개요 .....	1
2	제품사양 .....	2
3	Wiring .....	3
4	Device ID Setting .....	4
5	Indicators .....	4
6	C-NET Baud Rate Setting .....	4

**개요**

**CNET Series - cnD00-32 (Digital NPN Output 32ch)**

cnD00-32은 커미조아의 CNET 기반 제어기의 32채널 Digital 출력 모듈입니다.  
 각 채널의 내부 제어신호와 외부 입출력 신호는 포토커플러를 사용하여 절연됩니다.  
 본 매뉴얼은 cnD00-32의 하드웨어 구성과 기능에 대해 설명하는 하드웨어 매뉴얼입니다.  
 CNET 시스템의 전반적인 내용은 CNET product System reference 매뉴얼을 참조 바랍니다.

**제품사양**
**■ Digital Specification**

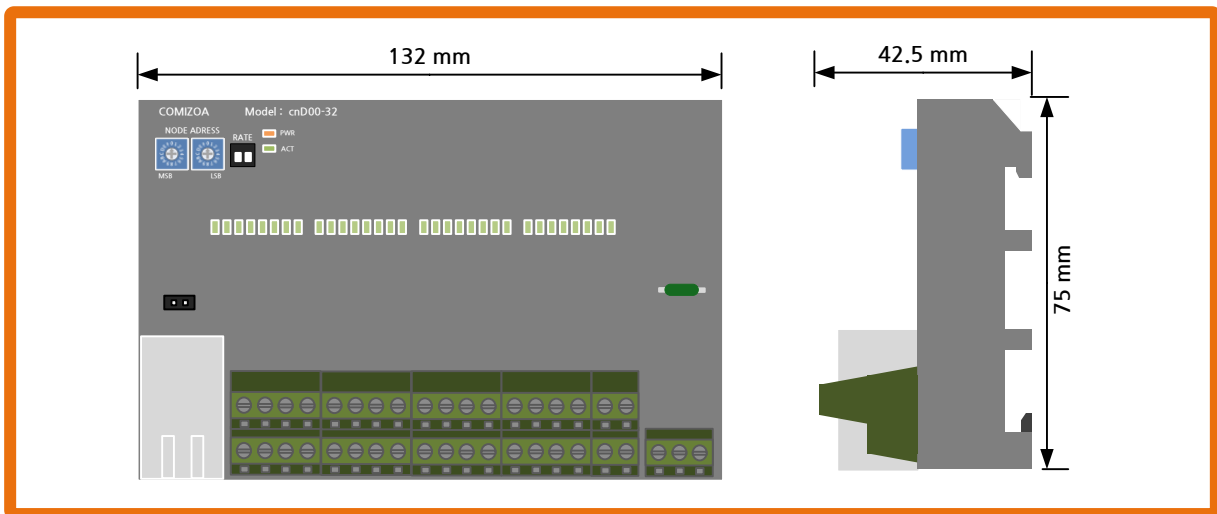
ITEM	Details
Number of Outputs	32 output
Output Type (Module)	MOSFET with common ground(NPN)
Isolation	Photo-coupler(Viso=3,000Vrms)
OFF State Current	Max. 100uA / Point
On State Max Sink Current	Max. 500mA / Point
Rds(On state resistance)	Max. 0.5Ω (±5%)
Over-Temperature Shutdown	160°C
Over-Current Shutdown	0.7A (Min.) ~ 2A (Max.)

**■ Power Specification**

ITEM	Details
Power Dissipation	120mA @ 24V DC
Rated Input Voltage	24 V DC (-15%/+20%, ripple ratio within 5%) EN 61131-2

**■ Environmental Specification**

ITEM	Details
Dimension	75 * 132 * 42.5 (mm)
Install	Industrial DIN rail
Operating Temperature Range	0°C ~ 50°C
Storage Temperature Range	-20°C ~ 80°C
Operating Humidity Range	5% ~ 90%RH, non-condensing
Storage Humidity Range	5% ~ 90%RH, non-condensing

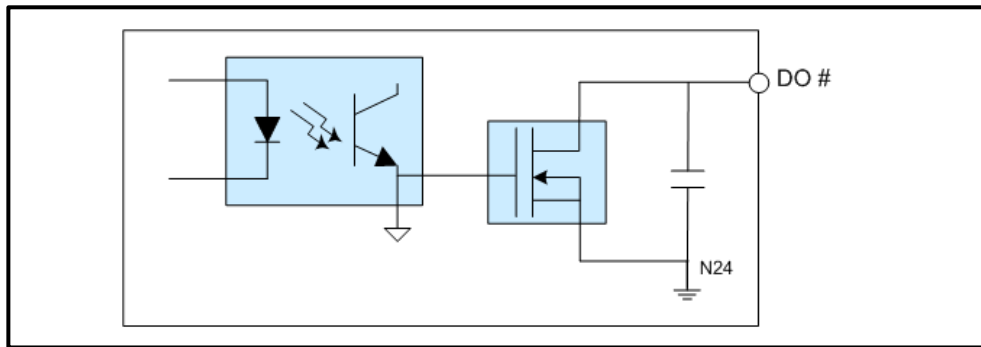

**Dimension**

Wiring

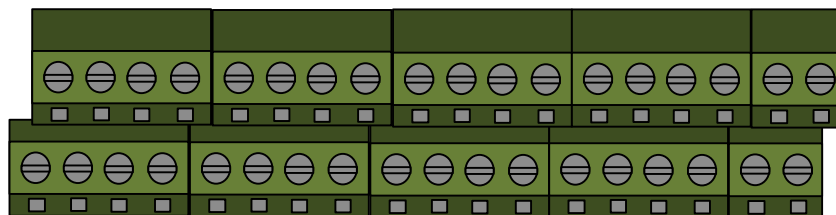
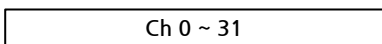
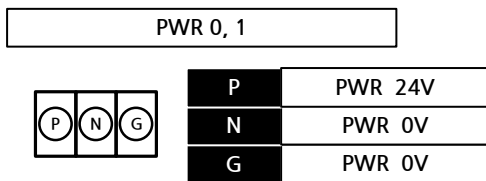
■ RJ45 Connector

	P1		P2	
	1	NC	1	NC
	2	NC	2	NC
	3	RS485_D+	3	RS485_D+
	4	NC	4	NC
	5	NC	5	NC
	6	RS485_D-	6	RS485_D-
	7	NC	7	NC
	8	NC	8	NC

■ Circuit Diagram



■ PIN MAP




DO 16	DO 17	DO 18	DO 19	DO 20	DO 21	DO 22	DO 23	N24	DO 24	DO 25	DO 26	DO 27	DO 28	DO 29	DO 30	DO 31	N24
DO 00	DO 01	DO 02	DO 03	DO 04	DO 05	DO 06	DO 07	VDD	DO 08	DO 09	DO 10	DO 11	DO 12	DO 13	DO 14	DO 15	VDD

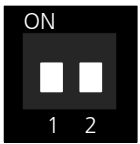
**Device ID Setting**

 MSB    LSB	<b>NODE ID setting</b>	MSB(1:0) * 16 + LSB
	<b>NODE ID range</b>	0 ~ 63

**Indicators**

			
PWR	SYSTEM POWER LED	ON	SYSTEM POWER(3.3V DC) ON
		OFF	SYSTEM POWER(3.3V DC) OFF
ACT	C-NET STATE LED	ON	C-NET COMMUNICATION ACTIVATE
		OFF	C-NET COMMUNICATION DEACTIVATE

**C-NET Baud Rate Setting**

 ON	11	2.5Mbps
	10	5Mbps
	01	10Mbps
	00	20Mbps

## Hardware Reference Manual Update List

No.	Version	Date	Changes in
1			
2	1.01	2016.03.04	글꼴변경 (나눔고딕, 굴림)

# CNET Reference Manual

Copyright holder : COMIZOA CO.,LTD  
Copyright (c) by COMIZOA CO.,LTD. All right reserved.  
2016. 03. 04.



COMIZOA CO.,LTD  
<http://www.comizoa.com>  
Tel) +82 - 42 - 936 - 6500  
Fax) +82 - 42 - 936 - 6507

All the details including figures and programs included in this manual is protected by Korean Copyright.  
Any parts of this manual can be copied or distributed without COMIZOA's permission.