

CNET Hardware Reference Manual



16CHANNEL DIGITAL OUTPUT MODULE

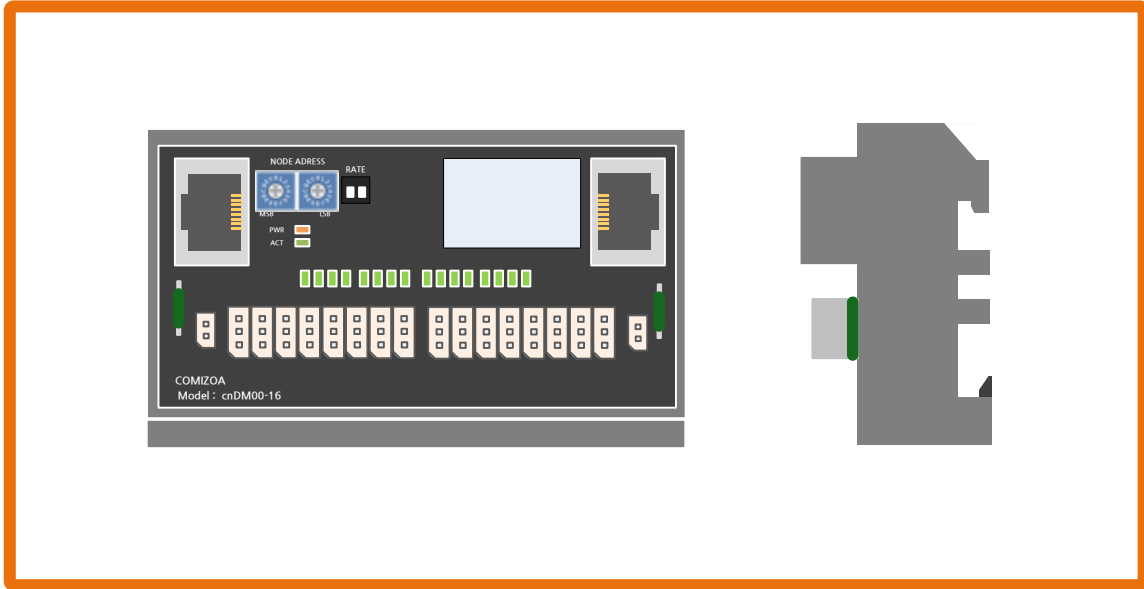
cnDM00-16

MAR 2016
©2016 COMIZOA, All rights reserved

Hardware Manual Revision : 1.0.1
Revision Data 2016. 03. 04

Table Of Contents

1	개요	1
2	제품사양	2
3	Wiring	3
4	Device ID Setting	4
5	Indicators	4
6	C-NET Baud Rate Setting	4

개요

CNET Series - cnDM00-16 (Digital NPN Output 16ch)

cnDM00-16은 커미조아의 CNET 기반 제어기의 16채널 Digital 출력 모듈입니다.
 각 채널의 내부 제어신호와 외부 입출력 신호는 포토커플러를 사용하여 절연됩니다.
 본 매뉴얼은 cnDM00-16의 하드웨어 구성과 기능에 대해 설명하는 하드웨어 매뉴얼입니다.
 CNET 시스템의 전반적인 내용은 CNET product System reference 매뉴얼을 참조 바랍니다.

제품사양
▣ Digital Specification

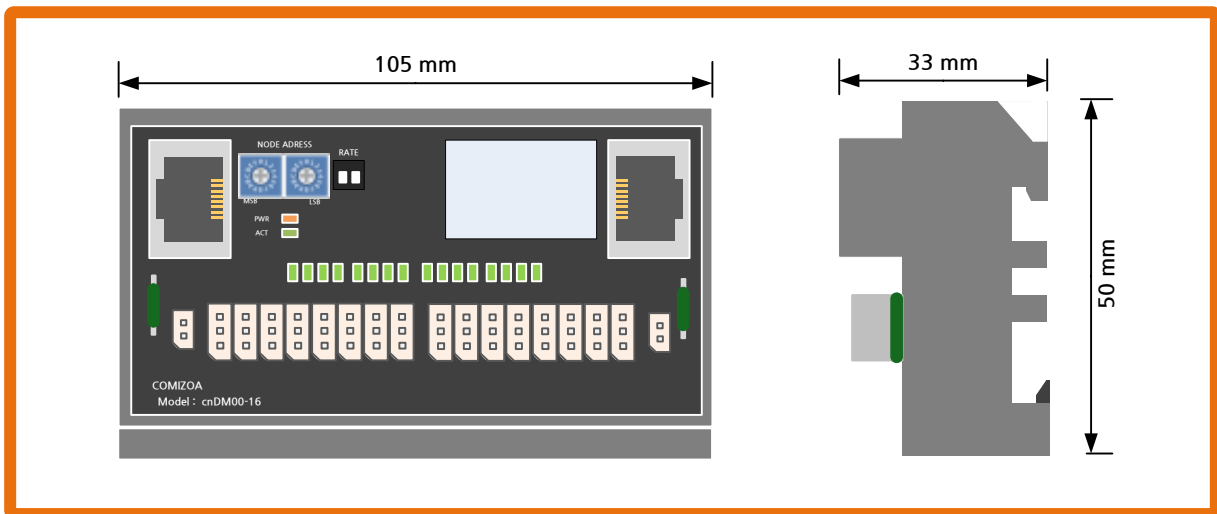
ITEM	Details
Number of Outputs	16 output
Output Type (Module)	MOSFET with common ground(NPN)
Isolation	Photo-coupler(Viso=3,000Vrms)
OFF State Current	Max. 100uA / Point
On State Max Sink Current	Max. 500mA / Point
Rds(On state resistance)	Max. 0.5Ω (±5%)
Over-Temperature Shutdown	160°C
Over-Current Shutdown	0.7A (Min.) ~ 2A (Max.)

▣ Power Specification

ITEM	Details
Power Dissipation	120mA @ 24V DC
Rated Input Voltage	24V DC (-15%/+20%, ripple ratio within 5%) EN 61131-2

▣ Environmental Specification

ITEM	Details
Dimension	50 * 105 * 33 (mm)
Install	Industrial DIN rail
Operating Temperature Range	0°C ~ 50°C
Storage Temperature Range	-20°C ~ 80°C
Operating Humidity Range	5% ~ 90%RH, non-condensing
Storage Humidity Range	5% ~ 90%RH, non-condensing

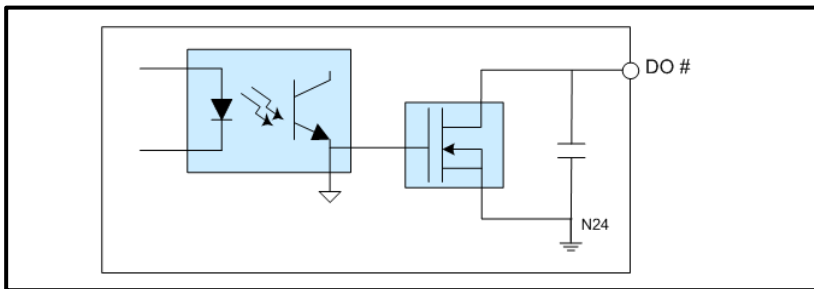

Dimension

Wiring

■ RJ45 Connector

		<table border="1"> <thead> <tr> <th colspan="2">P1</th> <th colspan="2">P2</th> </tr> </thead> <tbody> <tr><td>1</td><td>NC</td><td>1</td><td>NC</td></tr> <tr><td>2</td><td>NC</td><td>2</td><td>NC</td></tr> <tr><td>3</td><td>RS485_D+</td><td>3</td><td>RS485_D+</td></tr> <tr><td>4</td><td>NC</td><td>4</td><td>NC</td></tr> <tr><td>5</td><td>NC</td><td>5</td><td>NC</td></tr> <tr><td>6</td><td>RS485_D-</td><td>6</td><td>RS485_D-</td></tr> <tr><td>7</td><td>NC</td><td>7</td><td>NC</td></tr> <tr><td>8</td><td>NC</td><td>8</td><td>NC</td></tr> </tbody> </table>		P1		P2		1	NC	1	NC	2	NC	2	NC	3	RS485_D+	3	RS485_D+	4	NC	4	NC	5	NC	5	NC	6	RS485_D-	6	RS485_D-	7	NC	7	NC	8	NC	8	NC
P1		P2																																					
1	NC	1	NC																																				
2	NC	2	NC																																				
3	RS485_D+	3	RS485_D+																																				
4	NC	4	NC																																				
5	NC	5	NC																																				
6	RS485_D-	6	RS485_D-																																				
7	NC	7	NC																																				
8	NC	8	NC																																				

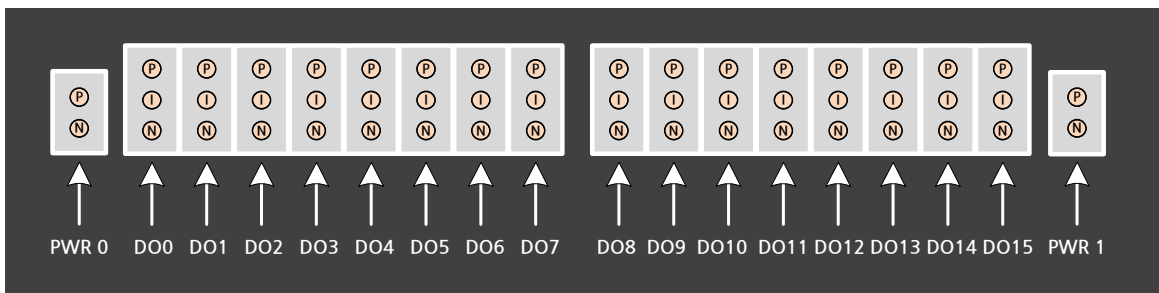
■ Circuit Diagram



■ PIN MAP

PWR 0, 1		
(P)	P	PWR 24V
(N)	N	PWR 0V
DO 0 ~ 15		
(P)	P	I/O PWR 24V
(I)	I	Digital Output
(N)	N	I/O PWR 0V


■ Contact Number




Device ID Setting

	NODE ID setting	MSB(1:0) * 16 + LSB
	NODE ID range	0 ~ 63

Indicators

			
PWR	SYSTEM POWER LED	ON	SYSTEM POWER(3.3V DC) ON
		OFF	SYSTEM POWER(3.3V DC) OFF
ACT	C-NET STATE LED	ON	C-NET COMMUNICATION ACTIVATE
		OFF	C-NET COMMUNICATION DEACTIVATE

C-NET Baud Rate Setting

	11	2.5Mbps
	10	5Mbps
	01	10Mbps
	00	20Mbps

Hardware Reference Manual Update List

No.	Version	Date	Changes in
1			
2	1.01	2016.03.04	글꼴변경 (나눔고딕, 굴림)

CNET Reference Manual

Copyright holder : COMIZOA CO.,LTD
Copyright (c) by COMIZOA CO.,LTD. All right reserved.
2016. 03. 04.



COMIZOA CO.,LTD
<http://www.comizoa.com>
Tel) +82 - 42 - 936 - 6500
Fax) +82 - 42 - 936 - 6507

All the details including figures and programs included in this manual is protected by Korean Copyright.
Any parts of this manual can be copied or distributed without COMIZOA's permission.