

# Hardware Reference Manual



EtherCAT Master BOARD

## COMI-LX559-SE/PE

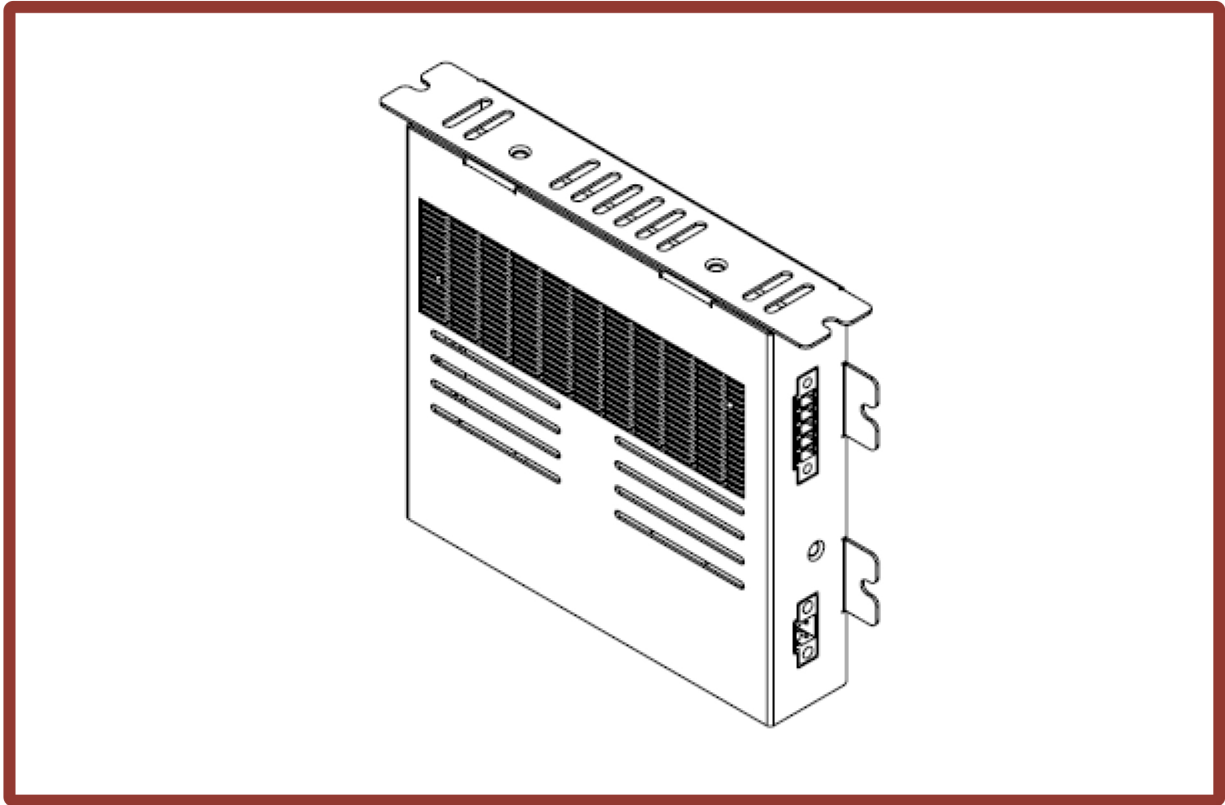
Dec 2020

©2020 COMIZOA, All rights reserved

## Table Of Contents

1	개요 .....	1
2	제품사양 .....	2
3	Dimension .....	3
4	Connector & Switch .....	4

## 개요



COMI-LX559  
( EtherCAT Master )

COMI-LX559는 커미조아의 Embedded 형태의 EtherCAT Master Controller로 ,  
상위와 Ethernet을 통하여 인터페이스를 합니다.

내부에 EtherCAT 허브를 내장하여 총 3개의 포트를 통해 EtherCAT System을 구성 가능하며  
추가적으로 RS232C 기반의 시리얼 통신을 1 포트 지원합니다.

본 매뉴얼은 COMI-LX559의 하드웨어 구성과 기능에 대해 설명하는 하드웨어 매뉴얼 입니다.

**제품사양**

Contents	Details
Dimension	140x112x25 (mm)
Operating Temperature	0°C ~ 50°C
Storage Temperature	-20°C ~ 80°C
Humidity	5% ~ 90%, non-condensing
Power Input	BOARD MAIN : ECH381VM-02P, DC 24V
Power consumption	Typical : 400 mA @ DC 24V ± 5% Maximum : 600 mA @ DC 24V ± 5%

**Environmental Specification**

Contents	Details
Processor	TI DSP (1Ghz, Dual Core, Max 20GFLOPs )
Memory	System Memory : DDR3 512MB(4Gb)
	Flash Memory : 128Mb NOR Flash
Ethernet	1 Port (RJ-45 Connector)
	100 Mbps, Full-Duplex 지원

**Processor & Memory specification**

Contents	Details
Data Frame	1500 Byte
Contol	Motion : Max 32 Axes
	IO : UP to 1024 nodes
Port	3 Port (RJ-45 Connector)
	10/100 Mbps Auto-Negotiation
Communication Cycle	0.1 ms ~ 50 ms

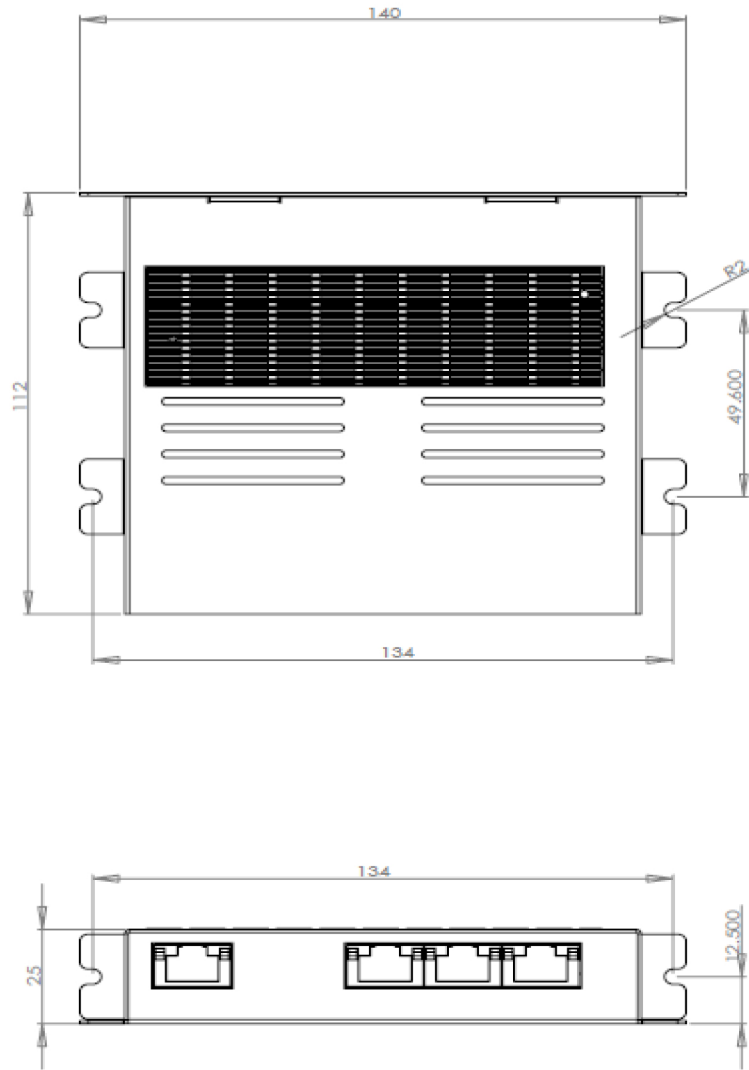
**EtherCAT Specification**

Contents	Details
Number of Channel	1 Channels
Protocol	RS-232
Isolation	Digital Isolators ( $V_{iso} = 2500 V_{rms}$ )
Baud-rate	2400 bps ~ 38400 bps (optional 115200)
Wiring Contact	ECH381VM-05P, DC 24V

**Serial Comm Specification**



제품사양



(unit : mm)

Dimension

**Connector**

## ■ EtherCAT Connector

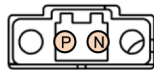
RJ-45		MASTER		SLAVE 1, 2, 3	
1	TX+	1	TX+		
2	TX-	2	TX-		
3	RX+	3	RX+		
4	NC	4	NC		
5	NC	5	NC		
6	RX-	6	RX-		
7	NC	7	NC		
8	NC	8	NC		

\* EtherCAT용 통신 Cable CAT.5E 이상 사용

## ■ Ethernet Connector

RJ-45		Pin #	Description	Wiring Color
1	RX+	1	RX+	W / Orange
2	RX-	2	RX-	Orange
3	TX+	3	TX+	W / Green
4	-	4	-	Blue
5	-	5	-	W / Blue
6	TX-	6	TX-	Green
7	-	7	-	W / Brown
8	-	8	-	Brown

## ■ Power Connector



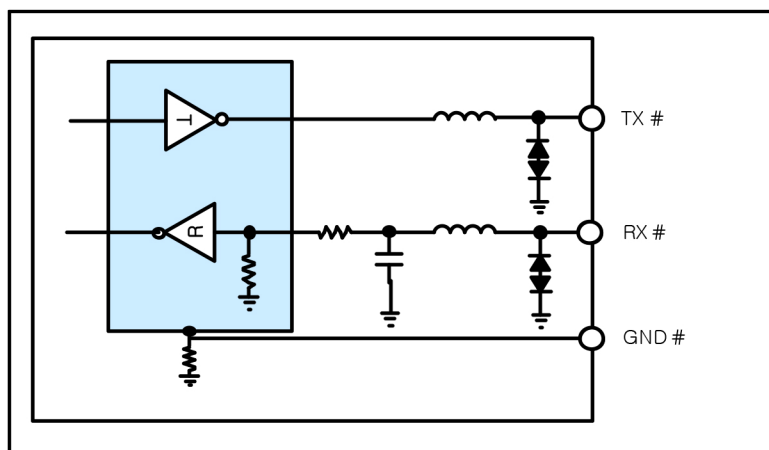
P	PWR DC P24V
N	PWR DC N24V

※ 전원의 양극을 반대로 입력한 경우 제품에 심각한 손상을 초래할 수 있습니다.

## ■ Serial Comm Connector &amp; Switch



P	P5V
T	TX (RS232)
R	RX(RS232)
S	N.C.
N	COM_GND



Serial Comm. (RS232) Circuit

## Hardware Reference Manual Update List

No.	Version	Date	Changes in
1	1.00	2020.04.01	First Edition
2	1.00	2020.12.15	-

# Hardware Reference Manual

Copyright holder : COMIZOA CO.,LTD  
Copyright (c) by COMIZOA CO.,LTD. All right reserved.  
2020. 12. 15.



COMIZOA CO.,LTD  
<http://www.comizoa.com>  
Tel) +82 - 42 - 936 - 6500  
Fax) +82 - 42 - 936 - 6507

All the details including figures and programs included in this manual is protected by Korean Copyright.  
Any parts of this manual can be copied or distributed without COMIZOA's permission.