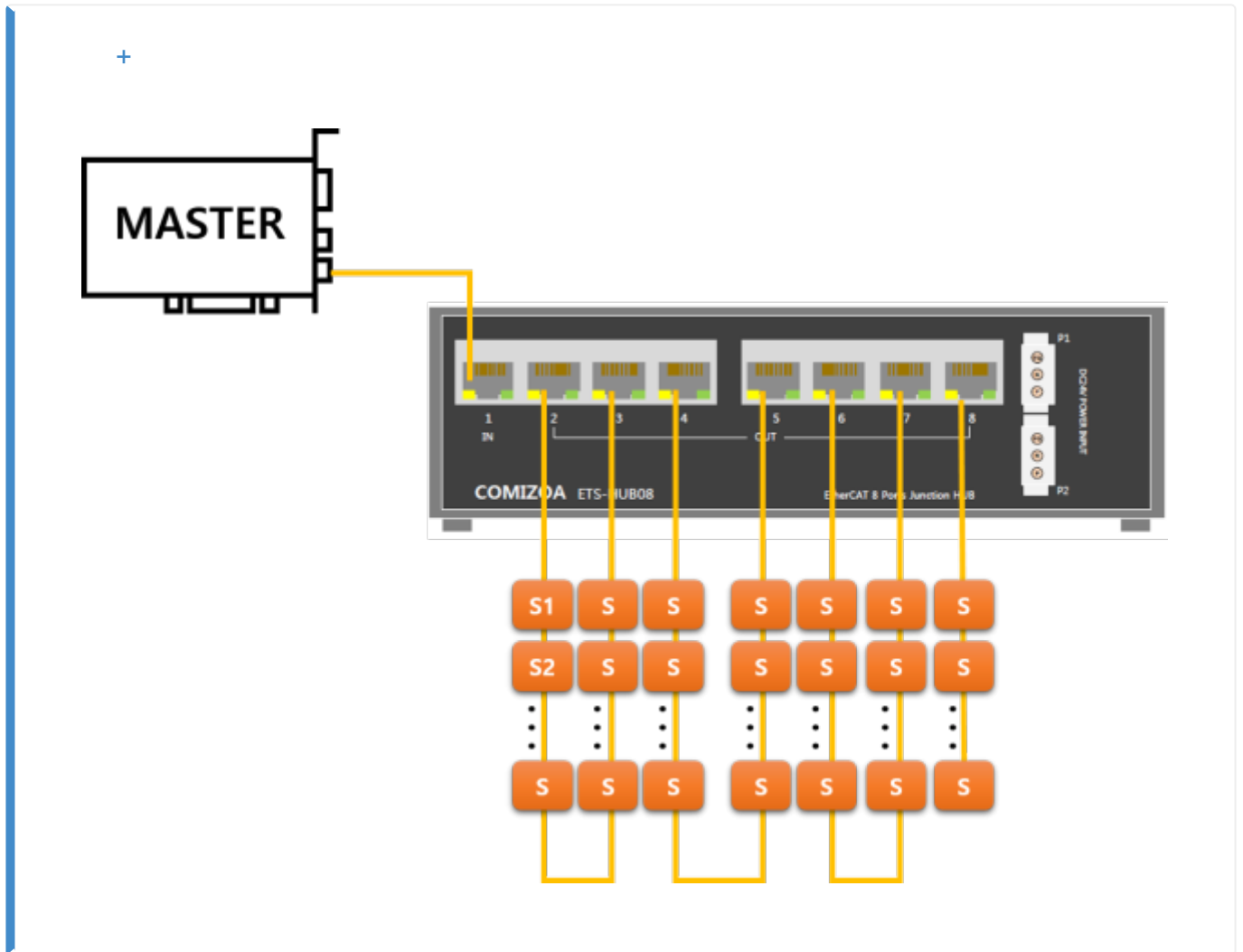


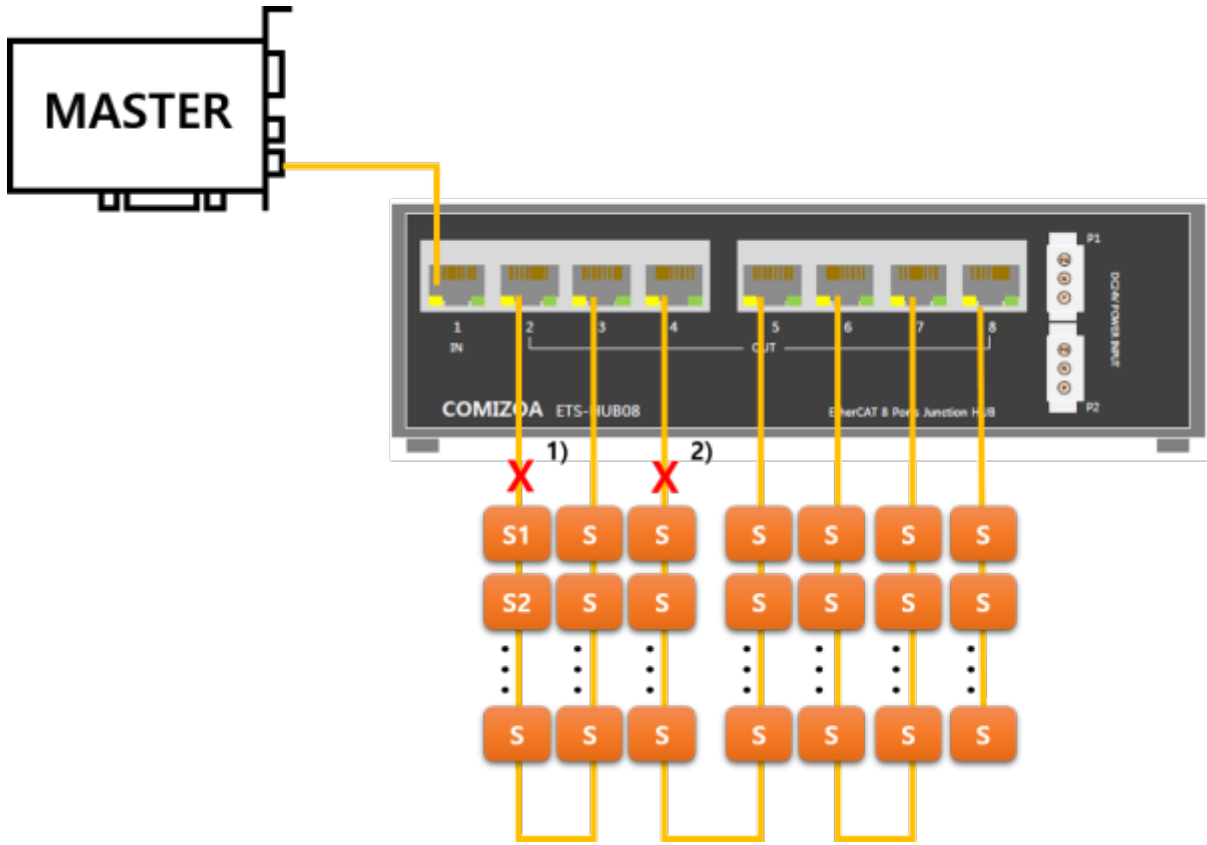
+ () 1
+ 1

+ ()

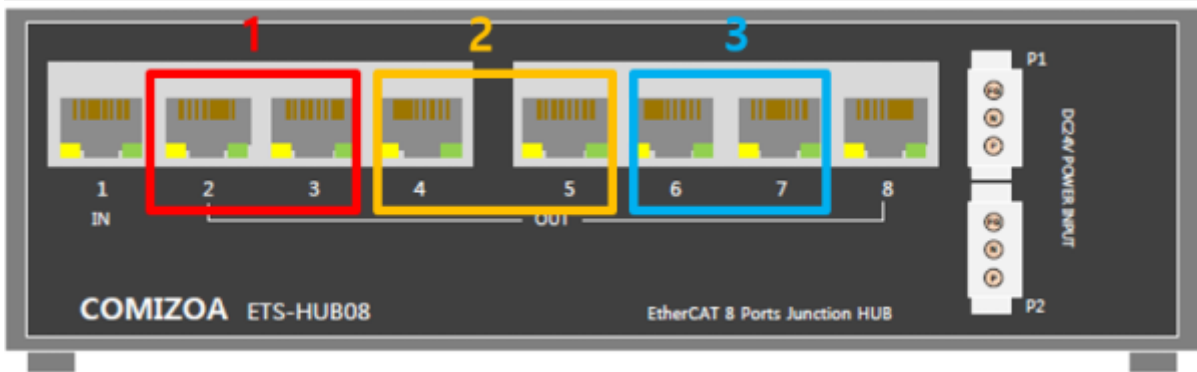
x Master Device



- Hub



- 1) 2)



- HUB , IN / OUT
 - 2 3
 - 4 5
 - 6 7
- - 1 , 2 3 가

From:

<https://www.comizoa.com/info/> - -

Permanent link:

https://www.comizoa.com/info/doku.php?id=platform:ethercat:1_setup:05_topology:50_treering&rev=1608096851

Last update: **2024/07/08 18:22**